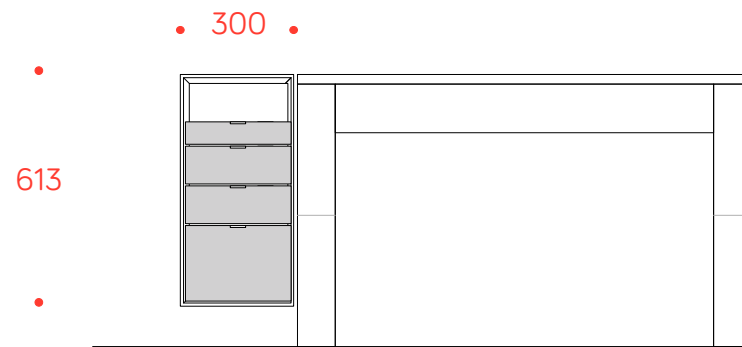
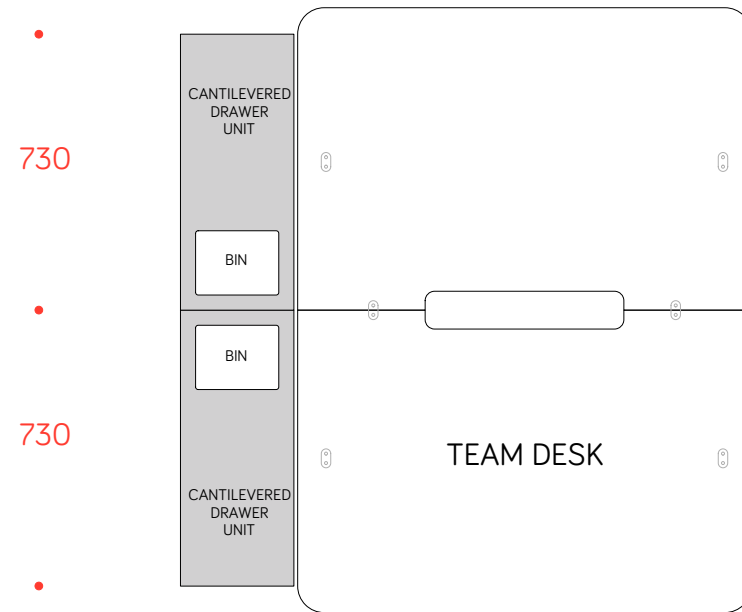
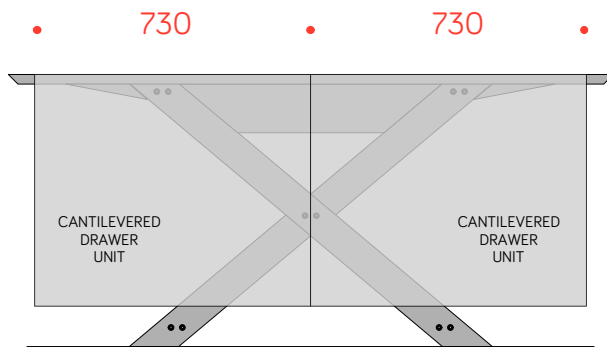
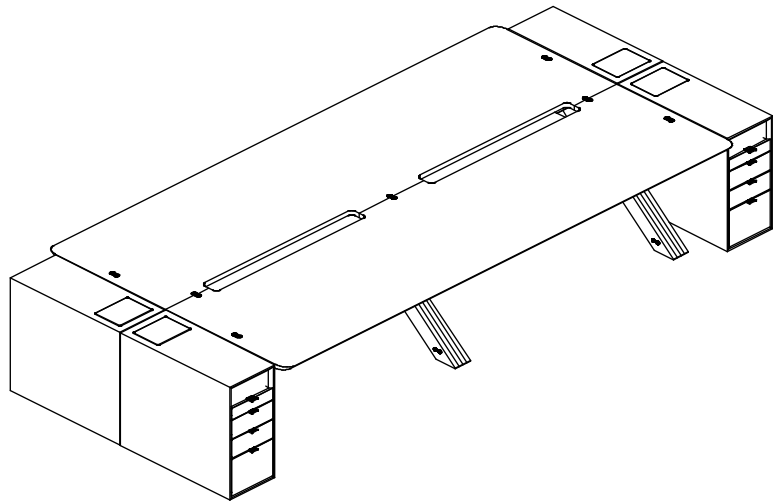


300mm CANTILEVERED DRAWER UNIT 300w x 730d x 613h

CANTILEVERED DRAWER UNIT unit made from birch ply.
25mm bevelled frame and FORBO linoleum drawer faces.
Featuring top loading bin to rear of unit.



CANTILEVERED DRAWER UNIT FOR TEAM-DESK